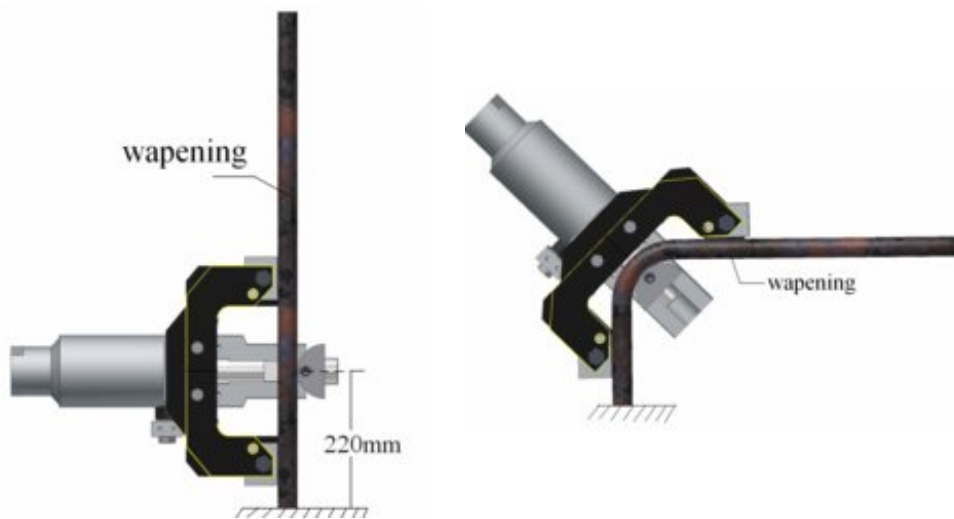




Bending machine MS BAU $\tilde{\sim}$ 32 for rent

These unique bending sets are largely made of aluminum for low weight. In addition, the sets are compact and strong; even suitable for bending cuttings to $\text{Ø}32\text{mm}$. Consisting of pump, hose and bending head.



HBT $\text{Ø}32$, consisting of pump, tubing, bending head, max. $\text{Ø}32\text{mm}$

Rent bending set HBT $\text{Ø}25$, consisting of pump, tubing, bending head, max. $\text{Ø}25\text{mm}$